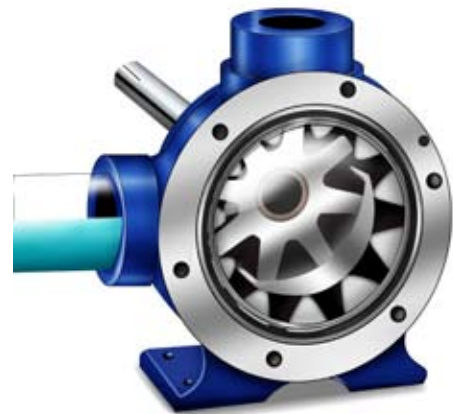


TEPRO SIGHTGLASS

Your Reliable and Versatile Visual Control System



Observe, Maintain, Sample - One System, Many Applications

Diameters 22 to 300 mm - Includes the Size You Need

Well tested, Established and Reliable System - Your Security

TEPRO SIGHT GLASS CONFIGURATIONS



TEPRO Sight Glass



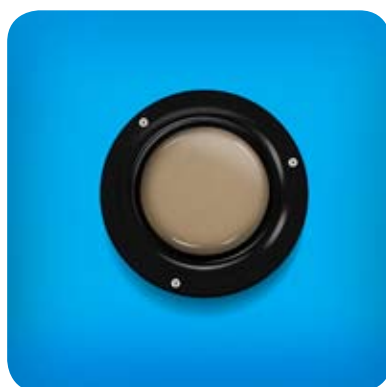
Reflector



Screen Print



Handle



Guard Ring for Higher Pressure

TEPRO SIGHT GLASS APPLICATIONS

For Observation



Liquids



Solid Matter



Cover of a Dial



Mechanical



Electrical

For Observation and Maintenance



TEPRO with Handle



Removal



Maintenance

For Observation and Sampling



TEPRO with Handle



Removal



Sampling

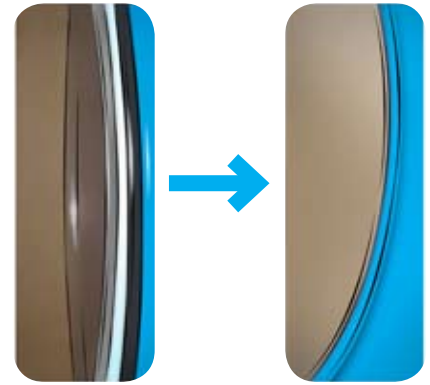
TEPRO INSTALLATION AND REMOVAL



Opening with Correct Diameter + Bevelled Edges



Place TEPRO Sight Glass Flat on to Opening



Press in TEPRO Sight Glass along entire Circumference



Easy Removal with Vacuum Lifting Pad

TIP: If you have difficulties pressing in the sight glass use a minimal amount of compatible lubricant.

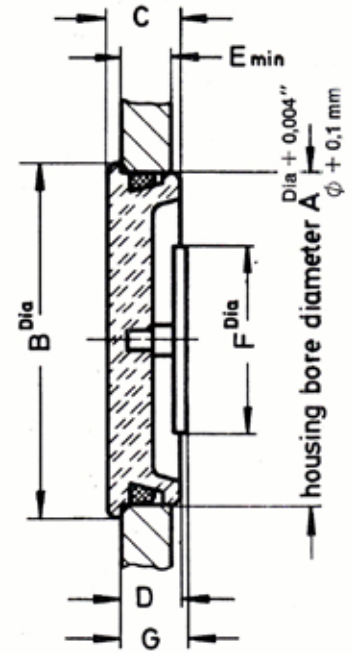
CAUTION: Avoid damaging O-ring. Make sure edges of opening are not sharp.

TECHNICAL DETAILS

- One-step fixation - Self-locking - No thread required
- Only thin machine walls required for fixation
- Large range of sizes: 22 - 300mm
- Absolutely tight for liquids
- Up to 130°C (polycarbonate)
- Seals as per your requirement
- Level markings with screen print according to your master
- Pressure up to 0,6 bar, then use of guard ring

TEPRO Sight Glass Ordering Information

Size = Art. No.	A ^{Dia+ 0,1}	B ^{Dia}	C	D	E _{MIN}	F ^{Dia}	G
22 (M)	22,2	25	8,5	7	7	19	10
32 (M)	32	35	8,5	7	7	28	10
38 (M)	38,1	41	8,5	7	7	28	10
50 (M,B,G)	50	53	10	8,5	8,5	28	10
75 (M, B, G)	75	78	10	8,5	8,5	28	10
100 (M, B, G)	100	103	10	8,5	8,5	28	10
150 (M, B, G)	150	153	10	8,5	8,5	28	10
200 (M, B)	200	203	10	8,5	8,5	—	—
250 (M, B)	250	253	12	10	10	—	—
300 (M, B)	300	303	15	12	12	—	—



All dimensions in mm.

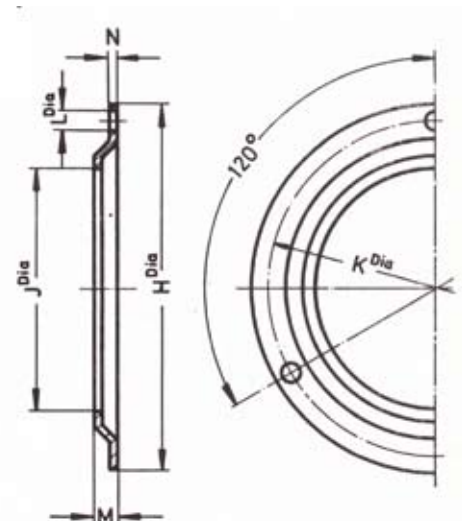
Standard: Acrylic plastic, up to 70°C, NBR O-Ring, Reflector up to size 38 mm

Options:

- a) M = sight glass out of polycarbonate, up to 130 °C
- b) FPM or VQM O-Rings on request
- c) B = with handle, only with polycarbonate
- d) Reflector for sizes 50 mm and above
- e) G = guard ring for higher pressures

TEPRO Guard Ring Ordering Information

Art. No.	H ^{Dia}	J ^{Dia}	K ^{Dia}	L ^{Dia}	M	N
GR-50	69	46	63	3,6	2,8	0,8
GR-75	98	70	90	4,8	3,3	1
GR-100	123	95	115	4,8	3,3	1
GR-150	178	145	168	5,8	3,3	1



Standard: DC Steel

Options:

- a) galvanised, RoHS conform
- b) matt black, RAL 9005 matt
- c) with 6 instead of 3 fixation holes

All dimensions in mm.

Minimum order quantities may apply.

For Ordering or further Information:

Voice: +41 62 871 20 90

Fax: +41 62 871 21 90

Email: info@teplast.com

Please visit our websites:

On TEPRO Sight Glass: www.teprosightglass.com

All our products: www.teplast.com

Teplast GmbH, Hauptstrasse 53, 5074-Eiken, Switzerland